

If ordering three or more flagpoles that are different models, please contact a sales representative to inquire about our quantity discount.

NAUTICAL SERIES WITH YARDARM

External Halyard Ground Set Cone Tapered Aluminum Flagpoles

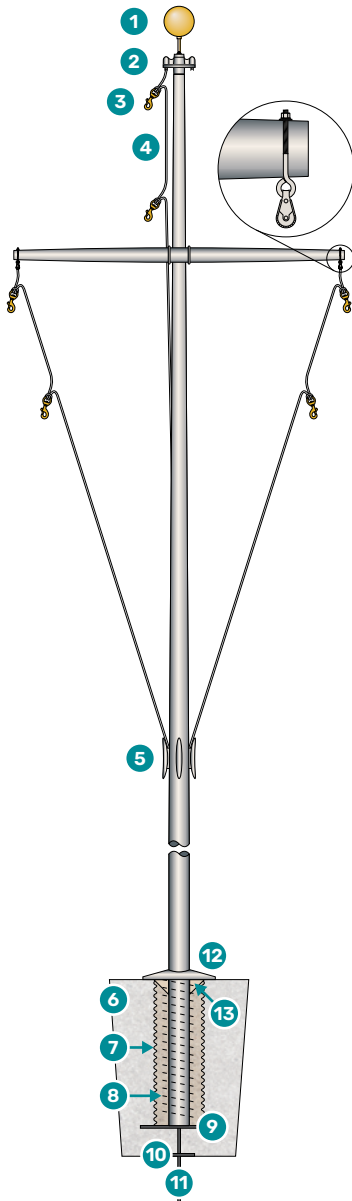
STANDARD ACCESSORIES

- Gold anodized aluminum ball ornament
- Cast aluminum revolving truck with pulley
- Aluminum yardarm with pulleys and mounting hardware
- 3 lengths of solid braided polyester halyard
- Swivel flag snaps with vinyl snap covers
- 3 cast aluminum cleats with mounting screws
- Spun aluminum flash collar
- Galvanized steel foundation sleeve

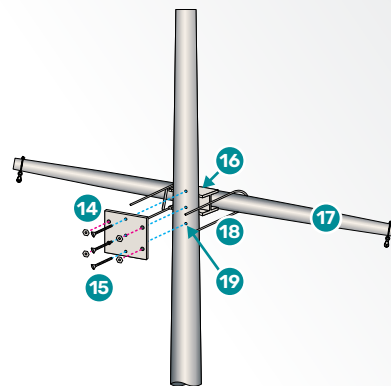
* Flagpole models available in both one and two section styles; please specify when placing your order. Single section pole(s) will be shipped if not specified. **Add 10% to the pricing for two section style flagpoles.**

** Flagpole models available in multi-piece pole(s) only.

◆ Yardarm Center diameter is 3-1/2", End diameter is 2"



Model	Exposed Height	Overall Length	# of Sections	Butt Dia.	Top Dia.	Wall	◆Yardarm Length	Shipping Weight
ECXP20-Y	20'	23'	1	5"	3"	.125	6'	155 lbs.
ECP20-Y	20'	23'	1	5"	3"	.188	6'	173 lbs.
ECXP25-Y	25'	27'	1	5"	3"	.125	6-1/2'	167 lbs.
ECXAP25-Y	25'	27'	1	5"	3"	.156	6-1/2'	185 lbs.
ECP25-Y	25'	27'	1	6"	3-1/2"	.188	6-1/2'	233 lbs.
ECXP30-Y	30'	33'	1 or 2*	5"	3"	.125	8-1/2'	194 lbs.
ECXAP30-Y	30'	33'	1 or 2*	5"	3"	.156	8-1/2'	202 lbs.
ECAP30-Y	30'	33'	1 or 2*	6"	3-1/2"	.156	8-1/2'	254 lbs.
ECP30-Y	30'	33'	1 or 2*	6"	3-1/2"	.188	8-1/2'	257 lbs.
ECSAP35-Y	35'	38-1/2'	1	5"	3"	.188	9-1/2'	262 lbs.
ECXP35-Y	35'	38-1/2'	1 or 2*	6"	3-1/2"	.156	9-1/2'	280 lbs.
ECAP35-Y	35'	38-1/2'	1 or 2*	7"	3-1/2"	.156	9-1/2'	299 lbs.
ECP35-Y	35'	38-1/2'	1 or 2*	7"	3-1/2"	.188	9-1/2'	319 lbs.
ECXP40-Y	40'	44'	2**	7"	3-1/2"	.156	11'	324 lbs.
ECP40-Y	40'	44'	2**	8"	3-1/2"	.188	11'	361 lbs.
ECP45-Y	45'	49-1/2'	2**	8"	3-1/2"	.188	11'	413 lbs.



STANDARD FLAGPOLE CONFIGURATION

1. Aluminum ball
2. Cast aluminum revolving truck
3. Swivel snaps with covers
4. Three halyards
5. Three cast aluminum cleats
6. 3000 PSI concrete (supplied by others)
7. Foundation sleeve
8. Dry tamped sand (supplied by others)
9. Steel base plate
10. Support plate
11. Grounding spike
12. Aluminum flash collar
13. Hardwood wedges (supplied by others)

Yardarm Assembly Detail

14. Yardarm plate
15. 1/4 x 20 flat head screws (included)
16. V-slot on welded H-beam
17. Yardarm assembly
18. U-bolts (2 required)
19. Pre-drilled tapped holes

NAUTICAL SERIES WITH YARDARM

External Halyard Ground Set Cone Tapered Aluminum Flagpoles

NOTE: All pole pricing below includes the yardarm. See [page 138](#) for pricing on yardarms only.

SATIN

Model	Item #	1-2	3-6	7+
ECXP20-Y	320573	\$3,540	\$3,340	\$3,150
ECP20-Y	320574	4,190	3,980	3,770
ECXP25-Y	320575	3,760	3,540	3,300
ECXAP25-Y	320576	4,190	3,940	3,740
ECP25-Y	320577	4,950	4,720	4,440
ECXP30-Y	320578	4,120	3,950	3,710
ECXAP30-Y	320579	4,630	4,390	4,110
ECAP30-Y	320580	5,300	5,100	4,730
ECP30-Y	320581	5,430	5,170	4,830
ECSAP35-Y	320582	5,010	4,780	4,480
ECXP35-Y	320583	5,480	5,230	4,840
ECAP35-Y	320584	6,050	5,750	5,410
ECP35-Y	320585	6,720	6,400	6,050
ECXP40-Y	320586	7,470	7,130	6,720
ECP40-Y	320588	8,400	8,050	7,630
ECP45-Y	320589	9,220	8,780	8,300

CLEAR ANODIZED

Model	Item #	1-2	3-6	7+
ECXP20-Y	320598	\$4,390	\$4,160	\$3,960
ECP20-Y	320599	5,110	4,880	4,610
ECXP25-Y	320600	4,660	4,470	4,140
ECXAP25-Y	320601	5,040	4,840	4,560
ECP25-Y	320602	6,060	5,710	5,420
ECXP30-Y	320603	5,230	4,960	4,730
ECXAP30-Y	320604	5,670	5,390	5,040
ECAP30-Y	320605	6,500	6,220	5,840
ECP30-Y	320606	6,650	6,340	5,960
ECSAP35-Y	320607	6,260	5,920	5,570
ECXP35-Y	320608	6,840	6,450	6,140
ECAP35-Y	320609	7,530	7,110	6,660
ECP35-Y	320610	8,270	7,900	7,410
ECXP40-Y	320611	9,120	8,720	8,200
ECP40-Y	320613	10,320	9,810	9,240
ECP45-Y	320614	11,210	10,610	10,040

BRONZE ANODIZED

Model	Item #	1-2	3-6	7+
ECXP20-Y	320623	\$4,490	\$4,270	\$4,050
ECP20-Y	320624	5,220	4,970	4,690
ECXP25-Y	320625	4,790	4,600	4,290
ECXAP25-Y	320626	5,330	5,000	4,780
ECP25-Y	320627	6,170	5,940	5,570
ECXP30-Y	320628	5,390	5,170	4,830
ECXAP30-Y	320629	5,950	5,670	5,360
ECAP30-Y	320630	6,800	6,450	6,140
ECP30-Y	320631	6,960	6,590	6,240
ECSAP35-Y	320632	6,500	6,170	5,860
ECXP35-Y	320633	7,160	6,800	6,350
ECAP35-Y	320634	7,840	7,470	7,070
ECP35-Y	320635	8,650	8,200	7,740
ECXP40-Y	320636	9,610	9,140	8,640
ECP40-Y	320638	10,770	10,250	9,690
ECP45-Y	320639	11,700	11,090	10,510

BLACK ANODIZED

Model	Item #	1-2	3-6	7+
ECXP20-Y	320648	\$4,720	\$4,490	\$4,200
ECP20-Y	320649	5,450	5,220	4,910
ECXP25-Y	320650	5,110	4,800	4,510
ECXAP25-Y	320651	5,510	5,230	4,910
ECP25-Y	320652	6,590	6,240	5,900
ECXP30-Y	320653	5,770	5,500	5,170
ECXAP30-Y	320654	6,220	5,900	5,540
ECAP30-Y	320655	7,110	6,760	6,340
ECP30-Y	320656	7,360	6,990	6,590
ECSAP35-Y	320657	6,840	6,480	6,150
ECXP35-Y	320658	7,530	7,180	6,680
ECAP35-Y	320659	8,220	7,840	7,410
ECP35-Y	320660	9,060	8,570	8,120
ECXP40-Y	320661	10,040	9,580	8,990
ECP40-Y	320663	11,360	10,770	10,210
ECP45-Y	320664	12,330	11,730	11,080

NAUTICAL SERIES WITH YARDARM & GAFF

External Halyard Ground Set Cone Tapered Aluminum Flagpoles

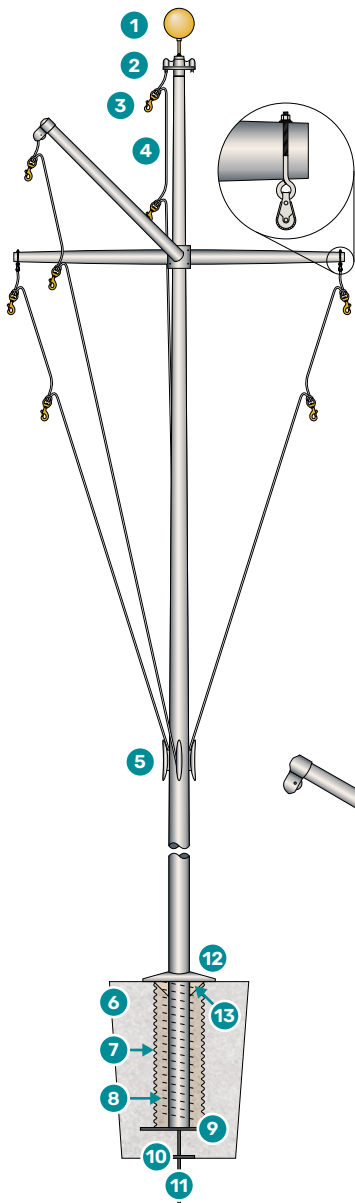
STANDARD ACCESSORIES

- Gold anodized aluminum ball ornament
- Cast aluminum revolving truck with pulley
- Aluminum yardarm and gaff with pulleys and mounting hardware
- 4 lengths of solid braided polyester halyard
- Swivel flag snaps with vinyl snap covers
- 4 cast aluminum cleats with mounting screws
- Spun aluminum flash collar
- Galvanized steel foundation sleeve

* Flagpole models available in both one and two section styles; please specify when placing your order. Single section pole(s) will be shipped if not specified. **Add 10% to the pricing for two section style flagpoles.**

** Flagpole models available in multi-piece pole(s) only.

- ◆ Yardarm Center diameter is 3-1/2", End diameter is 2"
- Gaff Butt diameter is 3-1/2", Top diameter is 2"



Model	Exp. Height	Overall Length	# of Sections	Butt Dia.	Top Dia.	Wall	◆ Yardarm Length	■ Gaff Length	Shipping Weight
ECXP20-YG	20'	23'	1	5"	3"	.125	6'	5'	185 lbs.
ECP20-YG	20'	23'	1	5"	3"	.188	6'	5'	203 lbs.
ECXP25-YG	25'	27'	1	5"	3"	.125	6-1/2'	5-1/2'	217 lbs.
ECXAP25-YG	25'	27'	1	5"	3"	.156	6-1/2'	5-1/2'	217 lbs.
ECP25-YG	25'	27'	1	6"	3-1/2"	.188	6-1/2'	5-1/2'	263 lbs.
ECXP30-YG	30'	33'	1 or 2*	5"	3"	.125	8-1/2'	6-1/2'	227 lbs.
ECXAP30-YG	30'	33'	1 or 2*	5"	3"	.156	8-1/2'	6-1/2'	235 lbs.
ECAP30-YG	30'	33'	1 or 2*	6"	3-1/2"	.156	8-1/2'	6-1/2'	279 lbs.
ECP30-YG	30'	33'	1 or 2*	6"	3-1/2"	.188	8-1/2'	6-1/2'	290 lbs.
ECSAP35-YG	35'	38-1/2'	1	5"	3"	.188	9-1/2'	7-1/2'	289 lbs.
ECXP35-YG	35'	38-1/2'	1 or 2*	6"	3-1/2"	.156	9-1/2'	7-1/2'	307 lbs.
ECAP35-YG	35'	38-1/2'	1 or 2*	7"	3-1/2"	.156	9-1/2'	7-1/2'	336 lbs.
ECP35-YG	35'	38-1/2'	1 or 2*	7"	3-1/2"	.188	9-1/2'	7-1/2'	356 lbs.
ECXP40-YG	40'	44'	2**	7"	3-1/2"	.156	11'	9'	366 lbs.
ECP40-YG	40'	44'	2**	8"	3-1/2"	.188	11'	9'	403 lbs.
ECP45-YG	45'	49-1/2'	2**	8"	3-1/2"	.188	11'	9'	455 lbs.

STANDARD FLAGPOLE CONFIGURATION

1. Aluminum ball
2. Cast aluminum revolving truck
3. Swivel snaps with covers
4. Four halyards
5. Four cast aluminum cleats
6. 3000 PSI concrete (supplied by others)
7. Foundation sleeve
8. Dry tamped sand (supplied by others)
9. Steel base plate
10. Support plate
11. Grounding spike
12. Aluminum flash collar
13. Hardwood wedges (supplied by others)

Yardarm & Gaff Assembly Detail

14. Yardarm plate
15. Gaff
16. 1/4 x 20 flat head screws (included)
17. V-slot on welded H-beam
18. Yardarm assembly
19. U-bolts (2 required)
20. Pre-drilled tapped holes

NAUTICAL SERIES WITH YARDARM & GAFF

External Halyard Ground Set Cone Tapered Aluminum Flagpoles

NOTE: All pole pricing below includes the yardarm and gaff. See [page 138](#) for pricing on yardarms and gaffs only.

SATIN

Model	Item #	1-2	3-6	7+
ECXP20-YG	320673	\$4,520	\$4,280	\$4,000
ECP20-YG	320674	5,220	4,950	4,640
ECXP25-YG	320675	4,780	4,520	4,210
ECXAP25-YG	320676	5,230	4,940	4,630
ECP25-YG	320677	6,030	5,750	5,430
ECXP30-YG	320678	5,290	5,040	4,690
ECXAP30-YG	320679	5,800	5,450	5,140
ECAP30-YG	320680	6,430	6,150	5,750
ECP30-YG	320681	6,540	6,250	5,850
ECSAP35-YG	320682	6,170	5,890	5,480
ECXP35-YG	320683	6,660	6,350	5,880
ECAP35-YG	320684	7,190	6,880	6,430
ECP35-YG	320685	7,960	7,570	7,070
ECXP40-YG	320686	8,700	8,310	7,830
ECP40-YG	320688	9,620	9,270	8,670
ECP45-YG	320689	10,440	9,960	9,370

CLEAR ANODIZED

Model	Item #	1-2	3-6	7+
ECXP20-YG	320698	\$5,620	\$5,360	\$5,040
ECP20-YG	320699	6,440	6,140	5,750
ECXP25-YG	320700	6,000	5,750	5,360
ECXAP25-YG	320701	6,420	6,160	5,750
ECP25-YG	320702	7,480	7,080	6,680
ECXP30-YG	320703	6,650	6,340	6,050
ECXAP30-YG	320704	7,150	6,760	6,350
ECAP30-YG	320705	7,990	7,570	7,150
ECP30-YG	320706	8,150	7,740	7,270
ECSAP35-YG	320707	7,770	7,360	6,960
ECXP35-YG	320708	8,330	7,930	7,480
ECAP35-YG	320709	9,040	8,560	8,120
ECP35-YG	320710	9,790	9,360	8,770
ECXP40-YG	320711	10,770	10,250	9,650
ECP40-YG	320713	11,960	11,350	10,710
ECP45-YG	320714	12,840	12,190	11,490

BRONZE ANODIZED

Model	Item #	1-2	3-6	7+
ECXP20-YG	320723	\$5,820	\$5,560	\$5,260
ECP20-YG	320724	6,600	6,280	5,940
ECXP25-YG	320725	6,260	5,950	5,600
ECXAP25-YG	320726	6,790	6,370	6,060
ECP25-YG	320727	7,690	7,360	6,890
ECXP30-YG	320728	6,890	6,610	6,240
ECXAP30-YG	320729	7,480	7,150	6,690
ECAP30-YG	320730	8,310	7,930	7,480
ECP30-YG	320731	8,460	8,040	7,580
ECSAP35-YG	320732	8,220	7,810	7,360
ECXP35-YG	320733	8,840	8,430	7,920
ECAP35-YG	320734	9,530	9,120	8,560
ECP35-YG	320735	10,390	9,830	9,270
ECXP40-YG	320736	11,520	10,980	10,320
ECP40-YG	320738	12,700	12,080	11,350
ECP45-YG	320739	13,640	12,900	12,200

BLACK ANODIZED

Model	Item #	1-2	3-6	7+
ECXP20-YG	320748	\$6,150	\$5,820	\$5,500
ECP20-YG	320749	6,920	6,600	6,220
ECXP25-YG	320750	6,610	6,270	5,900
ECXAP25-YG	320751	7,010	6,640	6,280
ECP25-YG	320752	8,160	7,740	7,290
ECXP30-YG	320753	7,410	7,070	6,610
ECXAP30-YG	320754	7,840	7,410	7,000
ECAP30-YG	320755	8,740	8,310	7,810
ECP30-YG	320756	9,040	8,500	8,040
ECSAP35-YG	320757	8,700	8,310	7,800
ECXP35-YG	320758	9,400	8,980	8,420
ECAP35-YG	320759	10,120	9,650	9,110
ECP35-YG	320760	10,920	10,420	9,780
ECXP40-YG	320761	12,160	11,520	10,850
ECP40-YG	320763	13,430	12,750	12,060
ECP45-YG	320764	14,380	13,690	12,900